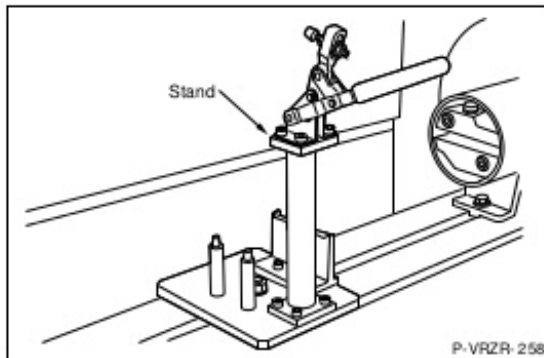




[Bosch Vp44 Injection Pump Schematic](#)

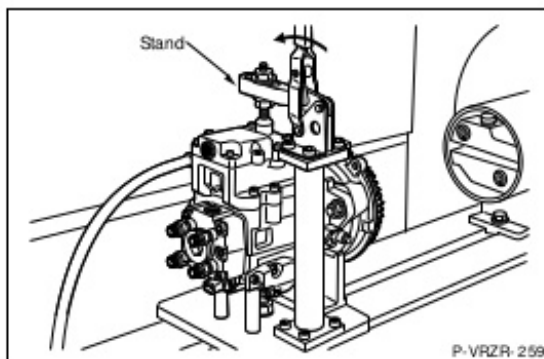
7 ADJUSTMENT



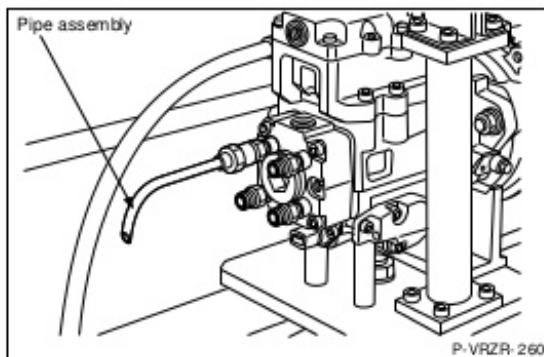
(3) Injection pump installation

- (1) Attach the stand to the pump test bench.

Tool name	Part no	Remarks
Stand	105781-0890	

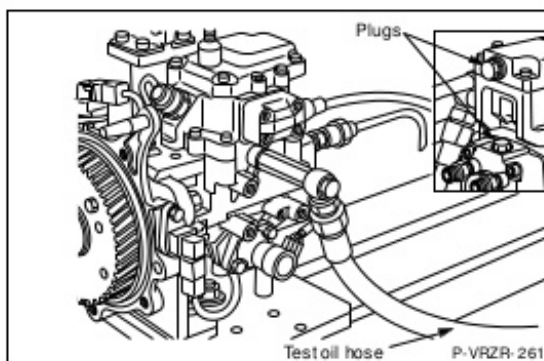


- (2) Attach the injection pump to the stand.
 (3) Pull the stand's handle as shown in the figure to fix the injection pump.



- (4) Remove the CPV from cylinder B and attach the pipe assembly and the gasket.

Tool name	Part no	Remarks
Pipe assembly	157845-9520	



- (5) Connect the test oil hose to the injection pump.
 (6) Attach the plugs to where the GE and the distributor head overflow valves were removed.

Advice

Install any suitable plugs to maintain pump chamber air tightness.

[Bosch Vp44 Injection Pump Schematic](#)



This function cannot be used to virginize PSG VP44 fuel pump ECU On the other hand, FCOM has ability to program used fuel pumps.

1. [bosch ve injection pump schematic](#)
2. [bosch injection pump manuals](#)
3. [bosch fuel injection pump diagram](#)

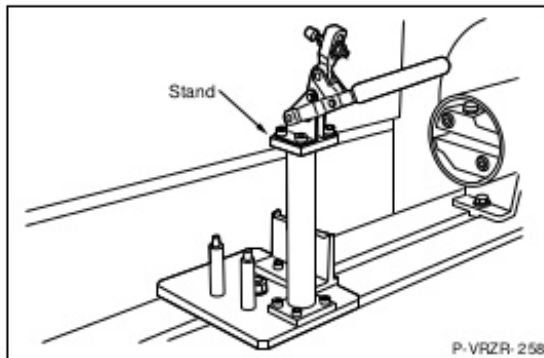
Ford IDS does not allow diagnosis of this control unit) Other systems (e g Denso, Lucas) use different control units and this page does not apply to them.. Excited to see what 500rwhp feels like in your brand-new 6 7L Cummins Dont forget to pay extra for good transmission tuning.. Unfortunately, thats a fairly common occurrence in the diesel performance realm especially within the Cummins segment, where considerable horsepower can be had on the cheap (and sometimes even for free).. Bosch Vp44 Injection Pump Schematic Full Fueling OfWith this aftermarket spring in place, full fueling of the VE pump extends beyond 3,000 rpm, which not only allows you to make more horsepower but also makes the truck more drivable.

bosch ve injection pump schematic

bosch ve injection pump schematic, bosch injection pump diagram, bosch injection pump manuals, bosch vp44 injection pump diagram, bosch fuel injection pump diagram, bosch p7100 injection pump diagram, bosch injection pump parts diagram, bosch inline injection pump diagram, bosch ve injector pump diagram [Soal Ujian Sertifikasi Microsoft Office](#)

Max engine speed was rated at 2,700 rpm but the governor in the Bosch VE rotary injection pump begins to pull fuel as early as 2,400 rpm.. These control units do not have diagnostic lead connected to any pin into the OBD2 socket, it is necessary to connect diagnostics directly to a pin of the control unit.. The AirDog version conveniently mounts along the engine block while the FASS pump can be installed near the tank to lighten its workload, but both pumps outperform and outlast the factory unit which means the VP44 lives a longer, happier life. [Hunecam Studio Free Download Mac](#)

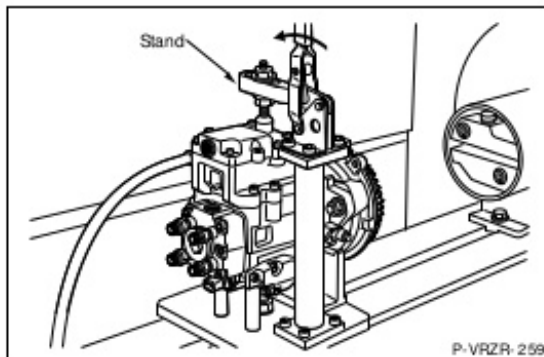
7 ADJUSTMENT



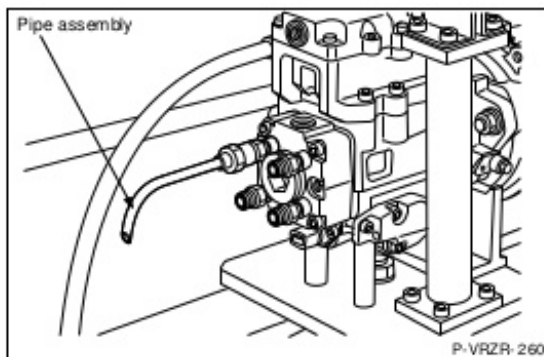
(3) Injection pump installation

- (1) Attach the stand to the pump test bench.

Tool name	Part no	Remarks
Stand	105781-0890	

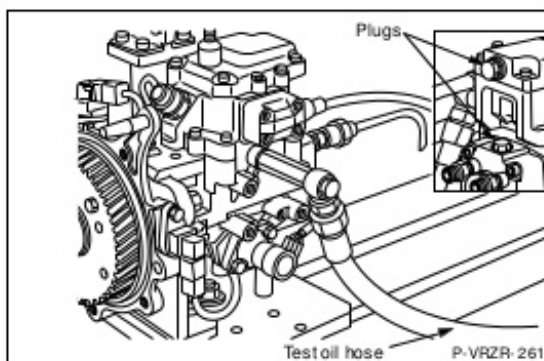


- (2) Attach the injection pump to the stand.
 (3) Pull the stand's handle as shown in the figure to fix the injection pump.



- (4) Remove the CPV from cylinder B and attach the pipe assembly and the gasket.

Tool name	Part no	Remarks
Pipe assembly	157845-9520	



- (5) Connect the test oil hose to the injection pump.
 (6) Attach the plugs to where the GE and the distributor head overflow valves were removed.

Advice

Install any suitable plugs to maintain pump chamber air tightness.

[Mejor Comprar Escáneres Para Mac](#)

bosch injection pump manuals

[Usb-c Adapter For Mac](#)

A problem for all 89-02 5.9Ls, a dowel pin was installed during original engine assembly at Cummins in order to align the timing gear housing on the block.. Bosch Vp44 Injection Pump Schematic Mods Like TurningConsequently, it means that performing those freebie performance mods like turning up the maximum fuel screw and grinding your fuel pin will only make you hit that rpm wall sooner. [Microsoft Office 2010 Starter Edition](#)

bosch fuel injection pump diagram

[How To Download Octave For Mac](#)

Bosch Vp44 Injection Pump Schematic Full Fueling OfBosch Vp44 Injection Pump Schematic Mods Like TurningConsumption of the ECU can be up to 8A, it is necessary to get connected to a fused wiring.. With a factory torque converter stall speed of 2,000-2,200 rpm in trucks equipped with the automatic transmission option, this leaves a tiny window to make power with.. Want those expensive injectors to last beyond 150,000 miles in your 03-07 common-rail Improve the filtration of the fuel being supplied to them ASAP.. But in the rush to add easy horsepower, items that aid reliability or better facilitate the use of all that extra twist are often overlooked.. For each generation of the legendary inline-six, there are certain shortcomings that should be addressed before they have a chance to ruin your fun.. Ready to transform your P-pumped 12-valve into a 5,000 rpm screamer You might want to first address the 10-cent dowel pin thats just waiting to fall into the cam gear and cause all sorts of mayhem.. With so much potential wrapped up in the P-pumped 12-valve engine, doesnt it make sense to have peace of mind as you begin to pursue all that extra power We think so.. Beyond that, valve float (piston-to-valve contact) becomes a concern There are literally zero negative side effects associated with this much-needed modification.. Why is 3,200 rpm the magic number Thats the maximum rpm the factory valve springs are rated to handle. 773a7aa168 [Worst Auto Tune Rappers](#)

773a7aa168

[Best External Hard Drive Recovery Software Mac](#)